

**PNEUMATIC DIAPHRAGM SINGLE SEAT / SLEEVE
REGULATING VALVE**
气动薄膜单座/套筒调节阀

Scientific Technological Innovation
Source of Prosperity

产品概述 Product Description

ZJHP型气动薄膜单座调节阀采用顶导向结构。阀体结构紧凑，流体通道呈S流线型，压降损失小流通量大，可调范围广，流量特性精度高。阀芯导向部分的导向面积大，具有抗振性能强的特点，阀座关闭性能符合GB/T4213-92标准，调节阀配用多弹簧式薄膜执行机构，具有结构小输出力大，更适用于要求可靠性及关闭性能高的高温，低温及阀前后压差不大场合下使用。

ZJHP-type pneumatic film single-seat control valve with the top-oriented structure. The valve body is compact, the flow channel is S streamline, the pressure drop loss of small flow, adjustable range, high flow characteristics and high precision. Valve guide part of the guide area is large, with a strong anti-vibration characteristics of the valve seat closure performance in line with GB / T4213-92 standard, multi-spring-type diaphragm regulator with thin film actuator, with a small output force, more suitable for Requiring high reliability and close the high-temperature, low temperature and pressure before and after the valve is not the occasion to use.



ZJHP/ZJHM

标准技术参数 Standard Technical Parameters

阀体

型式：单座型，套筒型

阀尺寸：DN20~200

额定压力：PN16, PN40, PN63, PN100

连接形式：法兰(标准型)螺纹、焊接(须用户指定)

法兰标准：钢制法兰按GB9113-2000, JB/T-94

密封面型式：PN16为凸面

PN40, 63, 100为凹凸面

材料：ZG230~450

ZG1Cr18Ni9Ti

ZG1Cr18Ni12MoTi

结构形式：标准型(-20°C~+200°C)

低温型(-60°C~-196°C)

散热型(-40°C~+450°C)

波纹管密封型

压盖形式：压板式

填料：V型聚四氟乙烯填料，柔性石墨填料

垫片：型式，齿型和平面

材料，F4/改性F4，不锈钢+石墨

Body

Type: single-seat, sleeve type

Valve size: DN20 ~ 200

Rated pressure: PN16, PN40, PN63, PN100

Connection: flange (standard) thread, welding (to be user specified)

Flange standard: steel flange according to GB9113-2000, JB / T-94

Sealing surface type: PN16 is convex

PN40, 63, and 100 are convex and concave surfaces

Material: ZG230 ~ 450

ZG1Cr18Ni9Ti

ZG1Cr18Ni12MoTi

Structure: Standard type (-20 ° C ~ + 200 ° C)

Low temperature (-60 ° C ~ -196 ° C)

Heat dissipation (-40 ° C ~ + 450 ° C)

Bellows seal type

Gland form: plate type

Filling: V-PTFE packing, flexible graphite packing

Gasket: type, tooth type and peace

Material, F4 / modified F4, stainless steel + graphite

阀内组件

阀 芯：单座/套筒柱塞型阀芯
金属密封
等百分比特性(%C)
线性特性(LC)
软密封(材料：增强聚四氟乙烯)
等百分比特性(%C)
线性特性(LC)

执行机构

型 式：多弹簧式薄膜执行机构
ZH_B^A-22, ZH_B^A-23, ZH_B^A-45
阀 作 用：正作用,反作用
膜片材料：丁腈橡胶夹增强涤纶织物
弹簧量程：20~100KPa, 40~200KPa,
80~240KPa
供气压力：0.14~0.4MPa
信号接口：内螺纹M16X1.5
环境温度：-30°C~+70°C

阀作用（阀芯正装）

气关式FO(配正作用执行机构)
当气源故障时，执行机构弹簧将阀打开
气开式FC(配反作用执行机构)
当气源故障时，执行机构弹簧将阀关闭

附 件(根据要求配置)

定位器,空气过滤减压阀,手轮机构,限位开关,电磁阀。阀位传送器,继电器,保位阀,其它

性 能

额定Kv值：参照表1
流量特性：线性,等百分比
可调范围：50:1
阀座泄漏率(对于额定Kv值%)
金属密封：小于0.01%(ANSIB16.104-1976IV级)
及小于0.001%(为选择项)
软 密 封：小于0.00001%
以下(ANSIB16.104-1976VI级)
回 差：小于全行程的1% (带定位器)
小于全行程的3%~5% (不带定位器)
基本误差：小于全行程的±1% (带定位器)
小于全行程的±5% (不带定位器)
外形尺寸：参照表2
油漆颜色：调节阀的气动执行机构和阀的表面应涂漆,不锈钢和铜的阀可不涂漆。阀体上的箭头及文字涂红漆用户指定色彩也可。

Valve assembly

Spool: single seat / sleeve plunger type spool
Metal seal
Equal percentage characteristics (% C)
Linearity (LC)
Soft Seal (Material: Reinforced Polytetrafluoroethylene)
Equal percentage characteristics (% C)
Linearity (LC)

Executive body

Type: multi-spring film actuator
ZH_B^A-22, ZH_B^A-23, ZH_B^A-45
Valve role: positive role, the reaction
Diaphragm material: nitrile rubber folder reinforced polyester fabric
Spring range: 20 ~ 100KPa, 40 ~ 200KPa,
80~ 240 kPa
Supply pressure: 0.14 ~ 0.4MPa
Signal interface: internal thread M16X1.5
Ambient temperature: -30 ° C ~ + 70 ° C

Valve action (spool is installed)

Gas-Off Type FO (Acting Actuator)
When the gas source fails, the actuator spring will open the valve
Gas-open FC (counter-reaction with the executive body)
When the air supply fails, the actuator spring closes the valve

Accessories (on request)

Locator, air filter valve, hand wheel mechanism, limit switches, solenoid valve. Valve position transmitter, Relay, security valve, the other

Performance

Rated Kv value: refer to Table 1
Flow characteristics: linear, equal percentage
Adjustable range: 50: 1
Seat leakage rate (for rated Kv value%)
Metal seal: less than 0.01% (ANSIB16.104-1976IV grade)
And less than 0.001% (as an option)
Soft Seal: less than 0.00001%
The following (ANSIB16.104-1976VI grade)
Hysteresis: less than 1% of full stroke (with positioner)
Less than the whole trip 3% to 5% (without locator)
Basic error: less than ± 1% of full stroke (with positioner)
Less than ± 5% of full travel (without positioner)
Dimensions: Refer to Table 2
Paint Color: Pneumatic actuator and valve surface of the control valve should be painted, stainless steel and copper valves may not be painted. Arrows and text on the body painted red paint can also specify the color of the user.

**PNEUMATIC DIAPHRAGM SINGLE SEAT / SLEEVE
REGULATING VALVE**

气动薄膜单座/套筒调节阀

Scientific Technological Innovation
Source of Prosperity

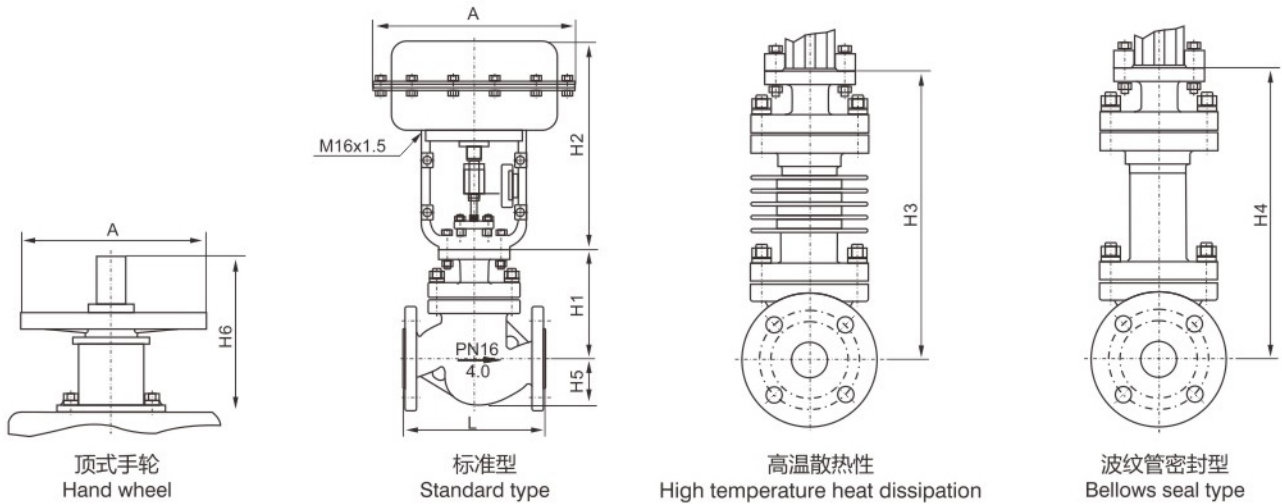


表1 kv值和行程 Table 1 Kv Values and Travel

DN	阀座直径 Seat diameter	额定流量系数 KV Rated flow coefficient KV		执行机构型号 Executive body	膜片有效面积 Effective area of diaphragm(cm ²)	额定行程 Rated travel (mm)
		线性 Linear	等比 Ratio			
20	5	0.2		ZH _B ^A -221	350	10
	7	0.5				
	8	0.8				
	10	1.8	1.6	ZH _B ^A -22	350	16
	12	2.8	2.5			
	15	4.4	4			
20	6.9	6.3				
25	25	11	10			
32	32	17	16			
40	40	27	25	ZH _B ^A -23	350	25
50	50	44	40			
65	65	69	63			
80	80	110	100	ZH _B ^A -34	560	40
100	100	176	160			
125	125	275	250			
150	150	440	400	ZH _B ^A -45	900	60
200	200	690	630			

表2主要外形尺寸 Table 2 Main Dimensions

DN	L		A	H1		H2	H3		H4		H5		C	H6
	PN16/40	PN63/100	PN16/40	PN63/100	PN16/40	PN63/100	PN16/40	PN63/100	PN16/40	PN63/100	PN16/40	PN63/100		
20	150	230	285	126	138	271	286	298	286	298	43	49	220	180
25	160	230	285	126	138	271	286	298	286	298	48	54	220	180
32	180	600	285	134	142	297	302	310	302	310	57	61	220	180
40	200	260	285	157	165	297	325	333	325	333	66	70	220	180
50	230	300	285	167	187	297	335	345	335	345	80	84	220	180
65	290	340	360	199	204	375	437	442	437	442	92	97	265	240
80	310	380	360	214	219	375	452	457	452	457	100	105	265	240
100	350	430	360	229	240	375	467	478	467	478	120	125	265	240
125	400	500	470	263	280	455	524	541	654	671	134	138	315	304
150	480	550	470	293	300	455	554	561	684	691	156	163	315	304
200	600	650	470	358	364	455	619	625	749	755	199	206	315	304