

VENTILATION
BUTTERFLY VALVE
通风蝶阀

Scientific Technological Innovation
Source of Prosperity

D3(6/9)41W-0.5(1/2.5)C.P.R



主要特点与用途

1. 阀门用于通风除尘管道系统，作双向启闭与调节流量用。
2. 阀门结构简单，性能可靠。可任意方向安装，不受介质流向限制。
3. 阀门分段轴设计，薄型蝶板，是流阻较小的蝶阀。根据泄露量及工作温度的不同要求，有两种密封结构可供选择。

Main Features and Uses

1. Valve for ventilation and dust pipe system for two-way hoist and adjust the flow with.
2. Valve structure is simple, reliable performance. Can be installed in any direction, not subject to media flow restrictions.
3. Valve sub-shaft design, thin disc, is a smaller flow resistance butterfly valve. According to the different requirements of leakage and operating temperature, there are two seal structure to choose from.

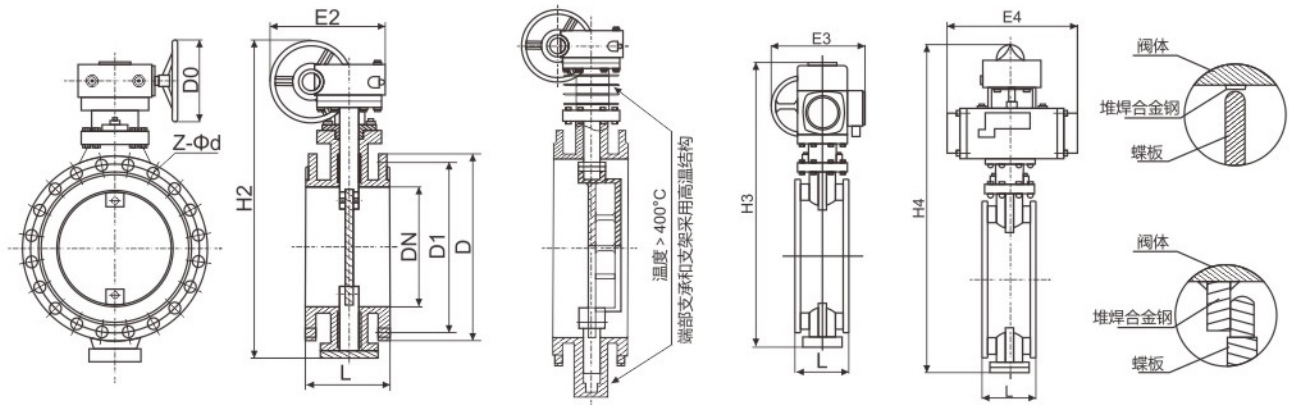
产品标准 Product Standards

设计与制造 Design and manufacturing	结构长度 Structure length	法兰连接尺寸 Flange connection dimensions	试验与检验 Test and inspection
JB/T 8692	GB/T 12221	GB/T 9115	JB/T 8692

主要零部件材料及适用范围 Main Parts Materials and Scope of Application

适用介质 Applicable media	空气，烟气，含尘气体等 Air, flue gas, dust-containing gas, etc.		高温烟气，含尘气体 High-temperature flue gas, dust-containing gases	腐蚀性烟气，含尘气体 Corrosive flue gas, dust-containing gases
适用温度 Proper temperature	≤400°C	≤500°C	≤650°C	≤350°C
泄露量 Leakage Volume	≤1% - ≤3%			
材料 Material				
阀体 Body	铸钢 Cast steel	钢板焊材 Q345D(16MnRE)	不锈钢 ZG1Cr18Ni9 CF3 CF8 钢板焊接 304 304L	不锈钢 ZG1Cr18Ni9Ti CF3M CF8M 钢板焊接 316 316L
蝶板 Butterfly plate	碳钢 Carbon steel	锰钢 Q345D(16MnRE)	不锈钢 1Cr18Ni9 304 304L	不锈钢 1Cr18Ni9Ti 316 316L
阀杆 Stem	不锈钢 stainless steel		不锈钢 1Cr18Ni9 304 304L	不锈钢 1Cr18Ni9Ti 316 316L
填料 Filler	柔性石墨 Flexible graphite		柔性石墨 Woven flexible graphite with nickel-clip wire	柔性石墨 聚四氟乙烯编织填料 Flexible Graphite PTFE Braided Filler

VENTILATION
BUTTERFLY VALVE
通风蝶阀



主要特点与用途 Main Features and Uses

DN (mm)	法兰连接尺寸 Flange connection dimensions				外形尺寸 Dimensions							
	L	D	D1	Z-d	蜗轮D341W型			电动941W型		气动D641W型		
					D0	E2	H2	E3	H3	E4	H4	
50	108	140	110	4-14	150	193	435	15	490	180	443	
65	112	160	130	4-14	150	193	440	125	515	180	457	
80	114	190	150	4-18	150	193	475	125	525	245	510	
100	127	210	170	4-18	150	193	495	125	560	245	540	
125	140	240	200	8-18	150	193	535	245	760	245	587	
150	140	265	225	8-18	150	193	645	245	785	350	685	
200	152	320	280	8-18	220	330	710	245	900	350	775	
250	165	375	335	12-18	220	330	765	313	990	350	855	
300	178	440	395	12-22	280	350	950	313	1045	600	1000	
350	190	490	445	12-22	280	350	1080	313	1110	600	1035	
400	190	540	495	16-22	320	496	1170	313	1280	600	1105	
450	190	595	550	16-22	320	496	1240	439	1330	750	1180	
500	190	645	600	20-22	320	496	1375	439	1460	750	1270	
600	210	755	705	20-26	320	496	1590	556	1950	750	1490	
700	210	860	810	24-26	400	686	1830	556	2050	750	1720	
800	210	975	920	24-30	400	686	2060	730	2280	750	1950	
900	250	1075	1020	24-30	400	686	2180	730	2390	1060	2130	
1000	250	1175	1120	28-30	400	686	2380	730	2570	1060	2360	
1200	250	1375	1320	32-30	400	686	2650	730	2890	1360	2610	
1400	300	1575	1520	36-30	500	850	3160	890	3150	1360	2920	
1600	300	1790	1730	40-30	500	850	3320	890	3390	2840	3380	
1800	300	1990	1930	44-30	500	850	3410	890	3620	2840	3490	
2000	300	2190	2130	48-30	500	850	3620	890	3810	3300	3760	
2200	350	2405	2340	52-33	500	850	3850	890	4070			
2400	350	2605	2540	56-33	500	850	4070	890	4220			
2600	350	2805	2740	60-33	500	916	4300	890	4490			
2800	400	3030	2960	64-36	500	966	4510	1090	5250			
3000	400	3230	3160	68-36	600	966	4730	1090	5460			
3200	450	3430	3360	72-36	600	966	4980	1090	5710			
3400	450	3630	3560	76-36	600	966	5270	1090	6150			
3600	450	3840	3770	80-36	600	966	5520	1090	6630			
3800	450	4045	3970	80-39	800	1130	6560	1180	7850			
4000	500	4245	4170	84-39	800	1130	7100	1180	8180			
4500	500	4850	4750	92-48	800	1130	7830	1450	8920			
5000	500	5350	5250	96-48	900	1180	8520	1450	9630			
5500	500	5850	5750	100-48	900	1180	9650	1450	10720			
6000	600	6400	6250	108-56	900	1180	10550	1820	11580			