

PNEUMATIC DIAPHRAGM THREE - WAY
REGULATING VALVE
气动薄膜三通调节阀



产品概述 Product Description

ZM_B^{AQ}型气动薄膜S三通调节阀主要用于将一股进口流体分成二股出口流体或者二股进口流体合成一股出口流体。三通分为 (ZM_B^{AQ}) 合流调节阀, (ZM_B^{AX}) 分流调节阀。阀尺寸, 压差较小时合流阀也可以作为分流阀用, 但阀尺寸大, 压差高的场合请勿用分流阀。

ZM_B^{AQ} pneumatic membrane S three-way control valve is mainly used for an inlet fluid is divided into two export fluid or two shares of imported fluid synthesis of an export fluid. Three links into (ZM_B^{AQ}) confluence control valve, (ZM_B^{AX}) shunt regulating valve. Valve size, a small pressure difference when the confluence valve can also be used as a diversion valve, but the valve size, high pressure applications do not use the shunt valve.



ZMAQ(X)/ZMBQ(X)

标准技术参数 Standard Technical Parameters

种类

ZM_B^{AQ}(合流三通调节阀)

ZM_B^{AX}(分流三通调节阀)

阀体

型式: 三通铸造球形阀

阀尺寸: DN25~200

额定压力: PN16, PN40

连接形式: 法兰

法兰标准: 钢制法兰按GB9113-2000, JB/T-94

密封面型式: PN16为凸面

PN40为凹凸面

材料: ZG230~450

ZG1Cr18Ni9Ti

ZG1Cr18Ni12MoTi

结构形式: 标准型(-20°C~+200°C)

合流型合流场合

分流型分流场合

散热型(-40°C~+450°C)

波纹管密封型(-40°C~+350°C)

压盖形式: 压板式

填料: V型聚四氟乙烯填料, 柔性石墨填料

垫片: 型式, 齿型和平型

材料, F4/改性F4, 不锈钢+石墨

Species

ZM_B^{AQ} (combined three-way control valve)

ZM_B^{AX} (split three-way valve)

Body

Type: Tee casting ball valve

Valve size: DN25 ~ 200

Rated pressure: PN16, PN40

Connection: flange

Flange standard: steel flange according to GB9113-2000, JB / T-94

Sealing surface type: PN16 is convex

PN40 is a concavo-convex surface

Material: ZG230 ~ 450

ZG1Cr18Ni9Ti

ZG1Cr18Ni12MoTi

Structure: Standard type (-20°C ~ +200°C)

Confluence

Shunt type shunt occasions

Heat dissipation (-40°C ~ +450°C)

Bellows sealed (-40°C ~ +350°C)

Gland form: plate type

Filling: V-PTFE packing, flexible graphite packing

Gasket: type, tooth type and peace

Material, F4 / modified F4, stainless steel + graphite

阀内组件

阀 芯：三通线性或抛物线V形缺口阀芯

Valve assembly

Spool: Three-way linear or parabolic V-notch spool

执行机构

型 式：多弹簧式薄膜执行机构

ZH_B^A-22, ZH_B^A-23, ZH_B^A-34, ZH_B^A-45

阀 作 用：正作用,反作用

膜片材料：丁腈橡胶夹增强涤纶织物

弹簧量程：20~100KPa, 40~200KPa,
80~240KPa

供气压力：0.14~0.4MPa

信号接口：内螺纹M16×1.5

环境温度：-30°C~+70°C

Executive body

Type: multi-spring film actuator

ZH_B^A-22, ZH_B^A-23, ZH_B^A-34, ZH_B^A-45

Valve role: positive role, the reaction

Diaphragm material: nitrile rubber folder reinforced polyester fabric

Spring range: 20 ~ 100KPa, 40 ~ 200KPa,
80 ~ 240 kPa

Supply pressure: 0.14 ~ 0.4MPa

Signal interface: internal thread M16×1.5

Ambient temperature: -30°C ~ +70°C

阀作用（阀芯正装）

气关式FO(配正作用执行机构)

当气源故障时，垂直方向通

气开式FC(配反作用执行机构)

当气源故障时，水平方向通

Valve action (spool is installed)

Gas-Off Type FO (Acting Actuator)

When the gas source fails, the vertical direction

Gas-open FC (counter-reaction with the executive body)

When the gas source fails, the horizontal direction

附 件(根据要求配置)

定位器,空气过滤减压阀,手轮机构,限位开关,电磁阀。阀位传送器,继电器,保位阀,其它

Accessories (on request)

Locator, air filter valve, hand wheel mechanism, limit switches, solenoid valve. Valve position transmitter, Relay, security valve, the other

性 能

额定Kv值：参照表1

流量特性：线性,等百分比

可调范围：30:1

阀座泄漏率(对于额定Kv值%)

金属密封：小于0.01%或0.001%(ANSIB16.104-1976IV级)

回 差：小于全行程的1%(带定位器)

小于全行程的3%~5%(不带定位器)

基本误差：小于全行程的±1% (带定位器)

小于全行程的±5% (不带定位器)

外形尺寸：参照表2

油漆颜色：调节阀的气动执行机构和阀的表面应涂漆,不锈钢和铜的阀可不涂漆。阀体上的箭头及文字涂红漆用户指定色彩也可。

Performance

Rated Kv value: refer to Table 1

Flow characteristics: linear, equal percentage

Adjustable range: 30: 1

Seat leakage rate (for rated Kv value%)

Metal Seal: less than 0.01% or 0.001% (ANSIB16.104-1976 class IV)

Hysteresis: less than 1% of full stroke (with positioner)

Less than the whole trip 3% to 5% (without locator)

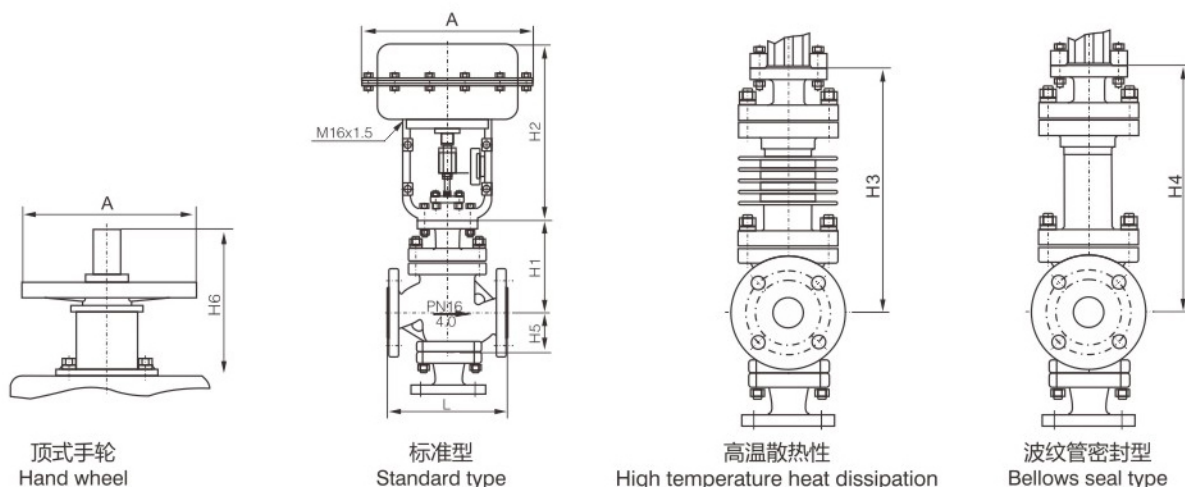
Basic error: less than ± 1% of full stroke (with positioner)

Less than ± 5% of full travel (without positioner)

Dimensions: Refer to Table 2

Paint Color: Pneumatic actuator and valve surface of the control valve should be painted, stainless steel and copper valves may not be painted. Arrows and text on the body painted red paint can also specify the color of the user.

PNEUMATIC DIAPHRAGM THREE - WAY
REGULATING VALVE
 气动薄膜三通调节阀



顶式手轮
Hand wheel

标准型
Standard type

高温散热性
High temperature heat dissipation

波纹管密封型
Bellows seal type

表1Kv值和行程 Table 1 Kv Values and Travel

DN	阀座直径 Seat diameter	额定流量系数 KV Rated flow coefficient KV		执行机构型号 Executive body	膜片有效面积 Effective area of diaphragm(cm ²)	额定行程 Rated travel (mm)
		线性 Linear	等比 Ratio			
25	25	8.5	可用合流 结构代替	ZH _B ^A -22	350	16
32	32	13		ZH _B ^A -23	350	25
40	40	21				
50	50	34				
65	65	53	85	ZH _B ^A -34	560	40
80	80	85				
100	100	135	135	ZH _B ^A -45	900	60
125	125	210	210			
150	150	340	340			
200	200	535	535			

表2主要外形尺寸 Table 2 Main Dimensions

DN	L	A	H1	H2	H3	H4	H5	C	H6
25	160	285	126	271	286	286	135	220	180
32	180	285	129	297	297	297	145	220	180
40	200	285	147	297	315	315	160	220	180
50	230	285	152	297	320	320	170	220	180
65	290	360	179	375	417	417	190	265	240
80	310	360	189	375	427	427	200	265	240
100	350	360	204	375	442	442	220	265	240
125	400	470	228	455	489	619	280	315	304
150	480	470	268	455	529	659	320	315	304
200	600	470	318	455	579	709	380	315	304